

## Description

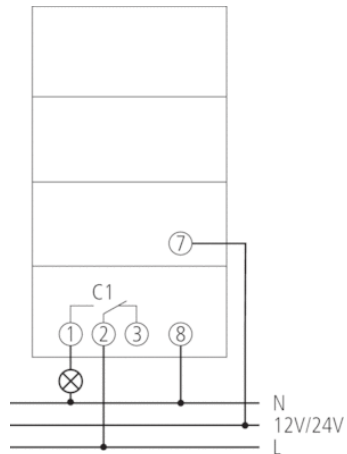


- Analogue time switch
- 1 channel
- Daily program
- With power reserve (NiMH rechargeable battery)
- Synchronised with mains
- Shortest switching time: 30 minutes
- Simple summer/winter time correction
  - Time can be changed clockwise or anti-clockwise
- 48 switching segments
- Screw terminals
- Switching preselection
- Permanent ON/OFF switch
- Switching status display
- Operation control display

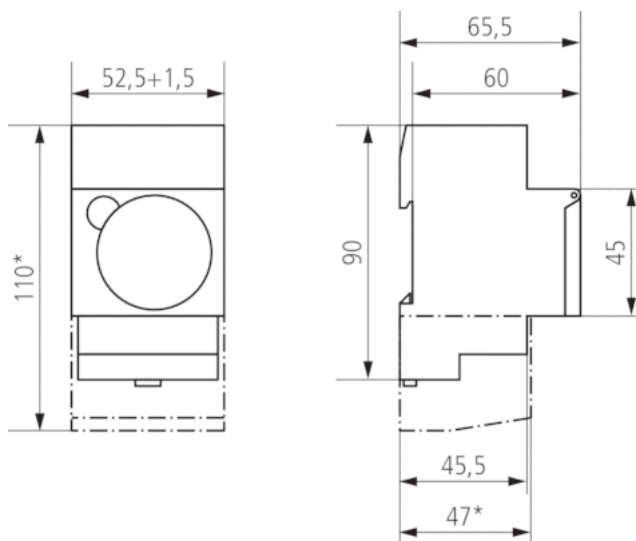
## Technical data

Operating voltage	12 V UC
Frequency	50 – 60 Hz
Number of channels	1
Width	3 modules
Installation type	DIN rail
Type of connection	Screw terminals
Drive	Quartz-controlled stepper motor
Program	Daily program
Power reserve	3 days
Switching capacity at 250 V AC, $\cos \varphi = 1$	16 A
Switching capacity at 250 V AC, $\cos \varphi = 0,6$	4 A
Shortest switching times	30 min
Programmable every	30 min
Time accuracy at 25 °C	$\leq \pm 1$ s/day (quartz)
Type of contact	Changeover contact
Switching output	Potential-free and phase-independent
Number of switching segments	48
Stand-by consumption	~0,1 W
Housing and insulation material	High-temperature resistant, self-extinguishing thermoplastic
Type of protection	IP 20
Protection class	II according to EN 60 730-1
Ambient temperature	-20 °C ... +50 °C

## Connection example



## Scale drawings



## Accessories

### Front panel kit

- Article number: 9070001  
[Details ▶ www.theben.de](http://www.theben.de)



### Terminal cover 52,5 mm

- Article number: 9070061  
[Details ▶ www.theben.de](http://www.theben.de)

